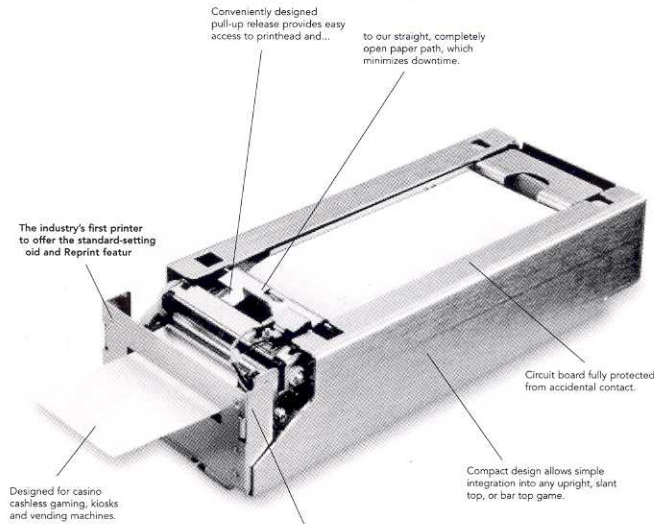


Model 860 Thermal Ticket Printer

Meet the Ithaca Model 860 thermal ticket printer - another industry first. With its one-of-a-kind Void and Reprint feature, the Model 860 reads every single ticket, voids any bad tickets, and then reprints accurate ones - on the spot. From now on, casinos get unequalled accuracy, players get a correct receipt and regulators get an audit trail - the Model 860 promises a win-win-win situation. Loaded with all the practical, real-world features of our Model 850, the Model 860 offers amazingly fast (5 ips), high-quality thermal printing that allows for easy bill acceptor reading and creation of eye-catching coupons and promotions. Plus, our Void and Reprint feature ensures that the printed barcode on the ticket is correct. And don't forget the open paper path and flexibility to integrate into any existing machine. The Ithaca Model 860 comes with a standard 2-year warranty, complete with extended maintenance options. And, of course, the Model 860 is backed by our solid reputation for quality and reliability.



ithaca
a product of TRANACT

OUR PRINTER

Model 860 - Complete unit for OEM installation: printer mechanism, ticket tray and sliding module for ticket loading with Void and Reprint.

- 113.3 mm (4.46 in.) W x 67.6 mm (2.66 in.) H x 285.75 mm (11.25 in.) D
- Printer Weight: approx. 2.02 kg. (5.4 lbs.)

OUR PRINTING CHARACTERISTICS

- Direct Thermal Printing
- Print Speed: 125 mm (5 in.) per second in text mode
- 500 dots per line
- 62.5 mm (2.46 in.) available print zone width, 8 dots/mm horizontal and vertical

OUR MEDIA (Thermal Ticket, Fan-Fold, Perforated)

- Type: top-coated thermal sensitive
- Standard Stack: 200 tickets (Optional 400 and 600 ticket stacks available from paper manufacturer)
- Ticket Width x Length: 65 mm (2.56 in.) wide x 156 mm (6.14 in.) long
- Ticket Thickness: .114-.127 mm (.0045-.005 in.)
- Print side is down, including barcode and total ticket cash-out amount

OUR POWER REQUIREMENTS

- 24 VDC: 2.2A Maximum (Excluding Exit Lamp)
- Exit Lamp: 24 VDC: 1.5A Maximum

OUR OPTIONS

- 400 Count Ticket Supply Box
- 600 Count Ticket Supply Box
- Custom Interfaces

OUR RELIABILITY

Printhead: 50 km or 50 million pulses

Amazingly fast (5 ips), high-quality thermal printing of eye-catching coupons and promotions.

OUR ENVIRONMENTAL SPECS

Operating Temperature:

0°C to 40°C

Storage & Shipping Temperature:

-10°C to 50°C

Operating Humidity:

10% to 90%

OUR FEATURES AND BENEFITS

- High Speed 125 mm (5 inches) Per Second Transaction Printing Speed
- Decreases Risk of User/Player Interference With Ticket Retrieval
- High Quality Printing: Text, Barcodes, Graphics, Lines
- RS232 Interface (via 14-pin latching connector)
- Print Side is Down, Including Barcode and Total Ticket Cash-Out Amount
- Easy Ticket Loading
- Open Paper Path
- Standard Warranty: 2 years (extended maintenance plan available)
- Ticket Separation is Performed by Customer via Perforated Ticket Stock
- Code Compatible with Ithaca Series 700/750 Thermal Ticket Printers
- Ticket Exit is Horizontal
- Detent/Lock Mechanism Holds Printer in "Open" Position at up to a 45 Degree Angle for Easy Access and Ticket Loading
- Barcodes: Interleaved 2 of 5 (programmable height and width), Code 3 of 9, UPC-A & UPC-E, Codabar, EAN8 & EAN13, Code 128, and Postnet
- Top of Form/Ticket-Out Sensor
- Ticket Taken Sensor
- Ticket Low Sensor
- Ticket Feed Button
- Audible Alarm
- Status Indicator Light
- Bitmap Graphics, Portrait and Landscape Printing
- 62.5 mm (2.46 in.) Available Print Zone Width, 8 dots/mm Horizontal and Vertical

OUR REGULATORY COMPLIANCE

- ULc, UL
- FCC Class B