



WELLS-GARDNER
ELECTRONICS CORPORATION

U5000

STANDARD RES/MID RES



U 5 0 0 0

PRODUCT SPECIFICATIONS

SPECIFICATIONS

- CRT size (diagonal measure): **25", 27"**
- Phosphor type: P22
- CRT etch: Polished faceplate; other faceplates available
- Striped trio spacing: 0.84 mm (25" and 27")

INPUT SIGNALS

- Input connector: 0.156 center header
- Video type: RGB analog
- Video input impedance: 1K Ohm; other values available
- Video level: 1.5 to 4 volts peak-to-peak; other levels optional
- Sync type: TTL sync; separate or composite, negative or positive
- Sync input impedance: 4.7 Ohms
- Horizontal sync frequency: 15.75 KHz or 25 KHz
- Vertical sync frequency: 47 to 63 Hz

LIGHT OUTPUT

40 fL typical

GEOMETRY

- Horizontal linearity: $\pm 5\%$
- Vertical linearity: $\pm 5\%$
- Picture size regulation: 2%
- Geometric distortion: $\pm 2\%$ max

POWER INPUT

- Input voltage: 90 - 264 VAC, 50 - 70 Hz; no isolation transformer required
- Maximum power: 130 Watts

USER CONTROLS

- Remote controls: Brightness, contrast, horizontal size, horizontal centering, horizontal frequency, vertical size, vertical centering, vertical frequency
- Internal controls: Focus

MECHANICAL

See additional pages

MISCELLANEOUS

- Operating temperature: 0 to 55 degrees C
- Agency compliance: U.L., C.S.A., D.H.H.S. radiation performance std., TUV

RESOLUTION

- Graphics modes: Standard Res - 640 X 200 (may be limited by the CRT)
Mid Res - 640 X 400 (may be limited by the CRT)
- Video bandwidth: 15 MHz typical

SPECIFICATIONS SUBJECT TO CHANGE WITHOUT NOTICE.

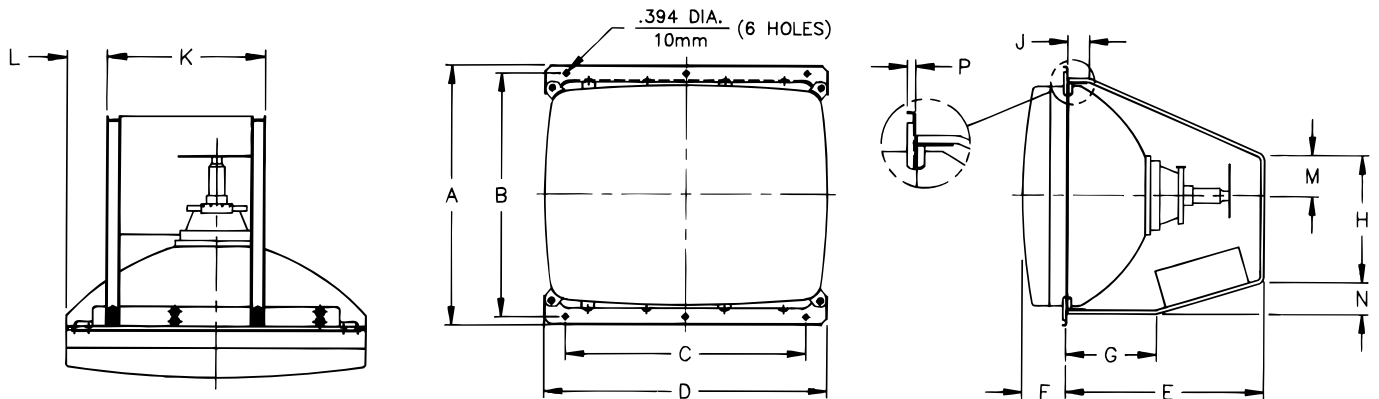


U 5 0 0 0
MECHANICAL SPECIFICATIONS



WELLS-GARDNER
ELECTRONICS CORPORATION

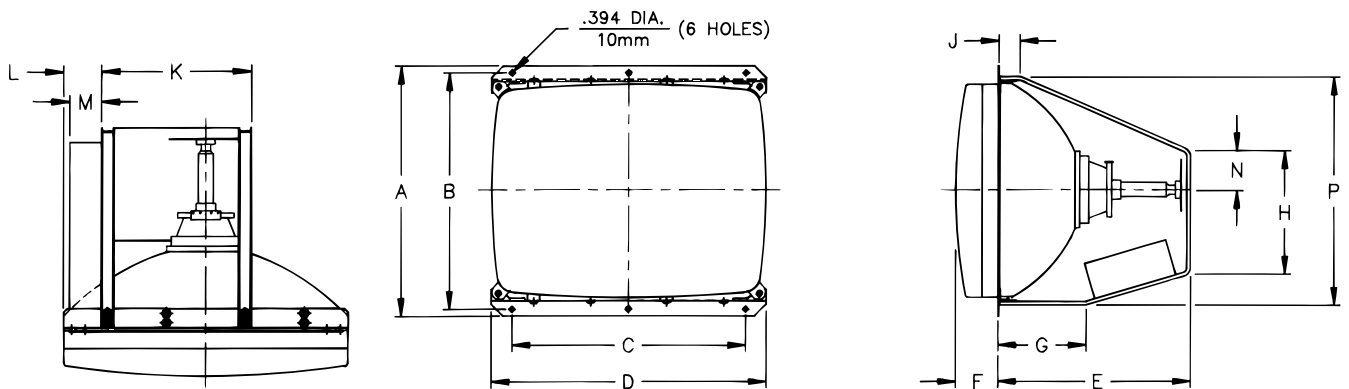
DIMENSIONS SHOWN ARE FOR REFERENCE ONLY. FOR SPECIFICS CONTACT W.G.E.C. ENGINEERING.
 2701 North Kildare Avenue Chicago, Illinois 60639 Phone (773) 252-8920 Fax (773) 252-8072



25V Color Monitor 25-U4 (F25M4)

WG P/N: WGM2550-U4GS29F

DIM.	A	B	C	D	E	F	G	H	J	K	L	M	N	P
IN.	20.630	19.291	19.291	23.000	16.125	3.590	7.375	10.125	1.750	12.000	3.140	3.250	2.562	.343
mm.	524.0	490.0	490.0	584.2	409.58	91.19	187.33	257.18	44.45	304.8	79.76	82.55	65.07	8.71



27V Color Monitor 27-U0 (F27M)

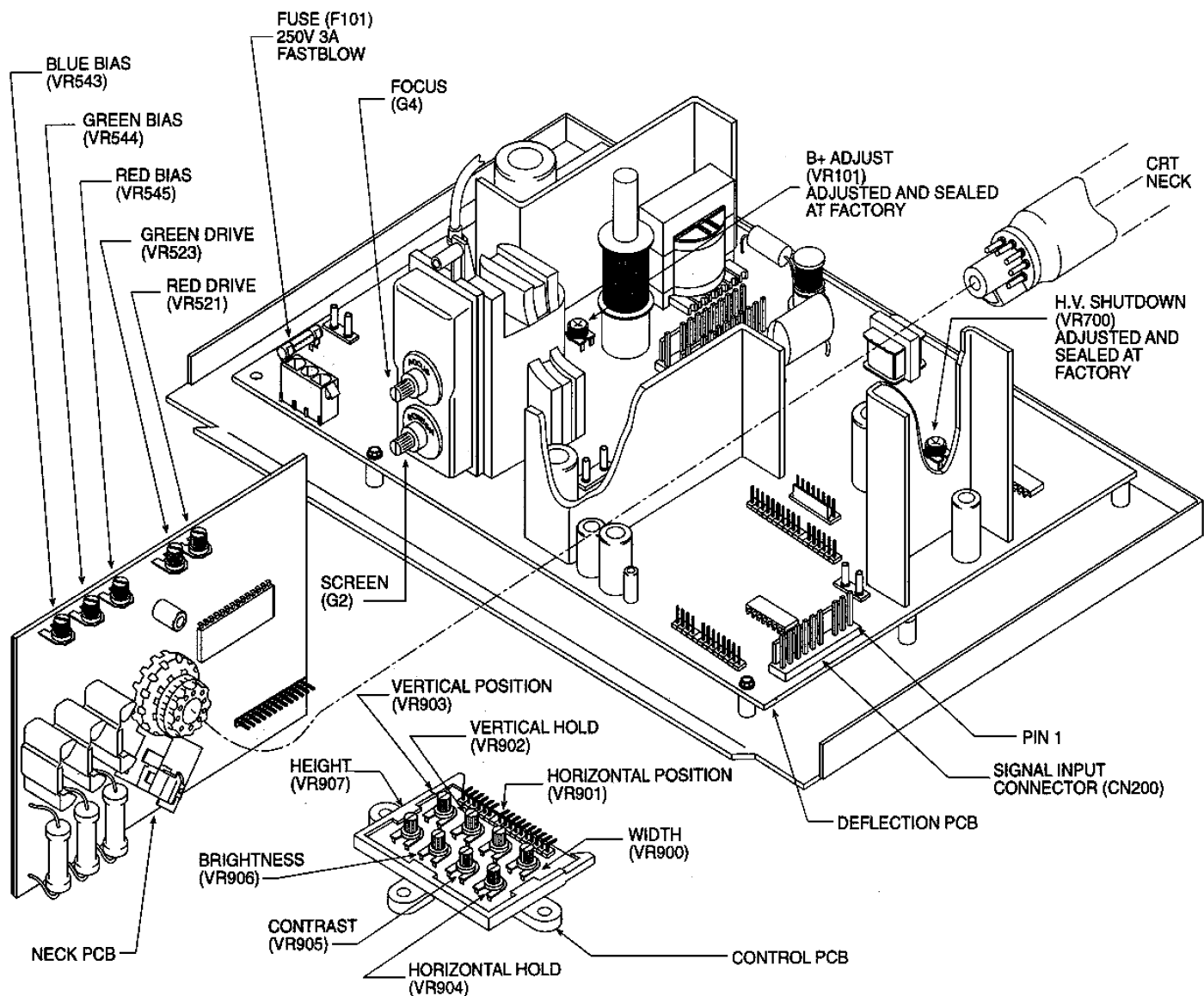
WG P/N: WGM2752-U0GS37F

DIM.	A	B	C	D	E	F	G	H	J	K	L	M	N	P
IN.	21.937	20.644	20.644	24.500	16.125	3.230	7.375	10.125	1.750	12.000	3.875	2.750	3.250	20.210
mm.	557.20	524.36	524.36	622.30	409.58	82.04	187.33	257.18	44.45	304.80	98.43	69.85	82.55	513.34



WELLS-GARDNER
ELECTRONICS CORPORATION

M O D E L O O



AC INPUT CONNECTOR: CN101

AMP 350760-4

Mating AMP type 1-480700-0

<u>Pin</u>	<u>Description</u>
1	AC hot
2	Earth ground
3	AC neutral

MODE SELECTION CONNECTORS

CN15K	15kHz Operation
CN25K	25kHz Operation

INPUT SIGNAL CONNECTOR: CN200

AMP 1-640445-1

Mating AMP type 1-640428-1

<u>Pin</u>	<u>Description</u>
1	Red
2	Green
3	Blue
4	Gnd
5	Vertical
6	Horizontal
7	
8	Gnd
9	Vertical
10	Horizontal



WELLS-GARDNER
ELECTRONICS CORPORATION

U 5 0 0 0



REPLACEMENT PARTS LIST

Power Supply Board Assembly 25A1427-001 P735

FINAL ASSEMBLY PAR18 Y63E51 91 -000

1	038A7448-000	ASSEMBLY: CRT BRKT MTG (2)
2	038A7469-000	ASSEMBLY: CHASSIS PAN
3	038A7520-000	ASSEMBLY: CRT GND WIRE
4	001X0802-002	DEGAUSSING COIL STRAP (4)
5	001X0811-001	BARRIER NECK PCB
6	002X0602-005	SPACER 5/16 (5)
7	004X2577-001	PCB SUPPORT
8	009A2963-002	COIL DEGAUSS 25" CRT ALUM
9	020X1794-126	SCR 1/4-20x518 HH WSH/LK (4)
10	025X3299-001	BRKT U-CHANNEL (2)
11	030X0762-001	CABLE TIE (7)
12	030X0765-001	LUG
13	030X0827-001	WIRE CLAMP
14	088X0351-506	CRT 25" C MVA63AFW22X PHILIPS
15	089X0113-001	RTV SILICON RUBBER
16	089X0133-001	ADHESIVE 2 PART EPOXY
17	312X1205-206	SCR SWG #6-32x3/8 HWH (2)
18	312X1505-906	SCR SWG 8-32x3/8 HWH GRN
19	312X1805-206	SCR SWG 10-24x3/8 HWH (12)
20	Y63E5191-000L	RS LITERATURE - Y63E5191

CONTROL BOARD ASSEMBLY 025A1 41 5-001 P71 8

21	004X2572-001	PCB HOLDER
22	013X1331-001	CABLE ASSY CONTROL PCB
23	085X0375-001	PC BOARD
24	CN903 006A0474-017	HEADER 17 PIN 0.100 CTR R.A.
25	R900 320X2200-000	WIRE #22 BARE SOLID
26	R901 340X2272-934	RES 2.7K OHM 5%1/4 CF
27	R902 340X2222-934	RES 2.2K OHM 5%1/4 CF
28	VR900 040X0703-004	TRIM POT SK OHM 0.5W 20%
29	VR901 040X0703-006	TRIM POT 20K OHM 0.5W 20%
30	VR902 040X0703-008	TRIM POT 200K OHM 0.5W 20%
31	VR903 040X0703-005	TRIM POT 1 OK OHM 0.5W 20%
32	VR904 040X0703-004	TRIM POT SK OHM 0.5W 20%
33	VR905 040X0703-005	TRIM POT 10K OHM 0.5W 20%
34	VR906 040X0703-007	TRIM POT 100K OHM 0.5W 20%
35	VR907 040X0703-008	TRIM POT 200K OHM 0.5W 20%

NECK BOARD ASSEMBLY 025A1 41 4-001 P71 9

36	013X1330-001	CABLE ASSY VIDEO PCB
37	025X3341-001	HEAT SINK (QTY 3)
38	085X0376-001	PC BOARD
39	W507 340X2101-934	RES 100 OHM 5%1/4W
40	W522 340X2101-934	RES 100 OHM 5%1/4W
41	C501 045X0560-518	CAP LYT 10uF 25V
42	C502 045X0560-518	CAP LYT 10uF 25V
43	C503 045X0560-518	CAP LYT 10uF 25V
44	C504 045X0566-007	CAP LYT 4.7uF 20% 200V 105 C
45	C505 080X0099-062	CAP 0.02uF +80-20% Z5U 500V
46	C506 047X0788-512	CAP 0.1uF 20% Z5U 50V MON
47	C507 045X0560-554	CAP LYT 100uF 20%16V
48	C508 047X0788-512	CAP 0.1uF 20% Z5U 50V MON
49	C510 047X0788-512	CAP 0.1uF 20% Z5U 50V MON
50	C512 045X0560-519	CAP LYT 1.0uF 20% 50V
51	C513 047X0788-512	CAP 0.1uF 20% Z5U 50V MON
52	C514 047X0788-512	CAP 0.1uF 20% Z5U 50V MON
53	C515 047X0788-512	CAP 0.1uF 20% Z5U 50V MON
54	C516 047X0788-512	CAP 0.1uF 20% Z5U 50V MON
55	C517 047X0788-512	CAP 0.1uF 20% Z5U 50V MON
56	C518 047X0788-512	CAP 0.1uF 20% Z5U 50V MON
57	C519 045X0560-501	CAP LYT 4.7uF 25V
58	C520 047X0788-512	CAP 0.1uF 20% Z5U 50V MON
59	C521 047X0788-512	CAP 0.1uF 20% Z5U 50V MON
60	C525 047X0788-033	CAP 680pF 10% NPO 50V MON
61	C526 047X0788-033	CAP 680pF 10% NPO 50V MON
62	C527 047X0788-033	CAP 680pF 10% NPO 50V MON
63	C529 080X0099-095	CAP 1000pF 10% Z5F 2KV CER
64	C530 045X0560-518	CAP LYT 10uF 25V
65	C53 1 080X0099-703	CAP 3.9p pF N PO 50V CER
66	C532 080X0099-703	CAP 3.9pF NPO 50V CER
67	C533 080X0099-703	CAP 3.9pF NPO 50V CER
68	C540 090X0099-506	CAP 470pF 10% 25F
69	C541 045X0560-001	CAP LYT 4.7uF 25V
70	CN501 006A0473-013	HEADER 13 PIN 0.100 CTR
71	CRT-GND 030X0756-001	PIN BEAD CHAIN
72	D501 066X0070-001	DIODE 1N914B
73	D502 066X0070-001	DIODE 1N914B
74	D503 066X0070-001	DIODE 1N914B
75	D504 066X0062-001	DIODE SANYO GMA02
76	D505 066X0062-001	DIODE SANYO GMA02
77	D506 066X0062-001	DIODE SANYO GMA02
78	D507 066X0070-001	DIODE 1N914B
79	G2 030X0797-001	PLUG V PIN
80	L501 009A2811-004	COIL 12uH
81	L502 009A2811-004	COIL 12uH
82	L503 009A2811-004	COIL 12uH
83	O501 086X0113-501	TRSTR 2N3904 MOT
84	Q502 086X0113-501	TRSTR 2N3904 MOT
85	Q503 086X0287-001	TRSTR NPN SANYO 2SC3782



WELLS-GARDNER
ELECTRONICS CORPORATION

U 5 0 0 0



NECK BOARD ASSEMBLY
025A1414-001
P719

86	Q504	086X0287-001	TRSTR NPN SANYO 25C3782
87	Q505	086X0287-001	TRSTR NPN SANYO 25C3782
88	Q506	086X0113-501	TRSTR 2N3904 MOT
89	Q507	086X0113-501	TRSTR 2N3904 MOT
90	Q508	086X0113-501	TRSTR 2N3904 MOT
91	Q509	086X0114-501	TRSTR 2N3904 MOT
92	Q510	086X0114-501	TRSTR 2N3904 MOT
93	Q511	086X0114-501	TRSTR 2N3904 MOT
94	R500	340X4033-633	RES 3.3 OHM 5% 1W MO/MF
95	R501	340X2242-934	RES 2.4K OHM 5% 1/4W CF
96	R502	340X2242-934	RES 2.4K OHM 5% 1/4W CF
97	R503	340X2242-934	RES 2.4K OHM 5% 1/4W CF
98	R504	340X2112-934	RES 1.1K OHM 5% 1/4W CF
99	R505	340X2112-934	RES 1.1K OHM 5% 1/4W CF
100	R506	340X2112-934	RES 1.1K OHM 5% 1/4W CF
101	R507	340X2103-934	RES 10K OHM 5% 1/4W CF
102	R508	340X2103-934	RES 10K OHM 5% 1/4W CF
103	R509	340X2103-934	RES 10K OHM 5% 1/4W CF
104	R510	340X4300-934	RES 30 OHM 5% 1W CF
105	R511	340X2113-934	RES 11.0K OHM 5% 1/4W CF
106	R512	340X2302-934	RES 3.0K OHM 5% 1/4W CF
107	R513	340X2910-934	RES 91K OHM 5% 1/4W CF
108	R514	340X2103-934	RES 10K OHM 5% 1/4W CF
109	R515	340X2102-934	RES 1.0K OHM 5% 1/4W CF
110	R516	340X2103-934	RES 10K OHM 5% 1/4W CF
111	R517	340X2103-934	RES 10K OHM 5% 1/4W CF
113	R518	340X2751-934	RES 750 OHM 5% 1/4W CF
113	R519	340X2181-934	RES 180 OHM 5% 1/4W CF
114	R520	340X2560-934	RES 56 OHM 5% 1/4W CF
115	R522	340X2560-934	RES 56 OHM 5% 1/4W CF
116	R524	340X2101-934	RES 100 OHM 5% 1/4W CF
117	R528	420X8272-326	RES 2.7K OHM 5% 5W MO
118	R529	420X8272-326	RES 2.7K OHM 5% 5W MO
119	R530	420X8272-326	RES 2.7K OHM 5% 5W MO
120	R531	340X2220-934	RES 22 OHM 5% 1/4W CF
121	R532	340X2220-934	RES 22 OHM 5% 1/4W CF
122	R533	340X2220-934	RES 22 OHM 5% 1/4W CF
123	R537	340X2560-934	RES 56 OHM 5% 1/4W CF
124	R538	340X2560-934	RES 56 OHM 5% 1/4W CF
125	R539	340X2560-934	RES 56 OHM 5% 1/4W CF
126	R540	340X2390-934	RES 39 OHM 5% 1/4W CF
127	R541	340X2390-934	RES 39 OHM 5% 1/4W CF
128	R542	340X2390-934	RES 39 OHM 5% 1/4W CF
129	R543	040X0653-008	TRIM POT 1K OHM 20% 0.5W
130	R544	040X0653-008	TRIM POT 1K OHM 20% 0.5W
131	R545	040X0653-008	TRIM POT 1K OHM 20% 0.5W
132	R546	340X3151-234	RES 150 OHM 5% 1/2W CC
133	R547	340X3102-234	RES 1.0K OHM 5% 1/2W CC
134	R548	320X2000-000	WIRE #20 BARE SOLID
135	R549	340X3151-234	RES 150 OHM 5% 1/2W CC
136	R550	340X3151-234	RES 150 OHM 5% 1/2W CC
137	R551	340X3151-234	RES 150 OHM 5% 1/2W CC
138	R552	340X2391-934	RES 390 OHM 5% 1/4W CC
139	R553	340X2391-934	RES 390 OHM 5% 1/4W CC
140	R554	340X2391-934	RES 390 OHM 5% 1/4W CC
141	R555	340X2391-934	RES 390 OHM 5% 1/4W CC
142	R556	086X0113-501	TRSTR NPN SANYO 25C3782
143	R557	086X0113-501	TRSTR NPN SANYO 25C3782
144	R558	086X0113-501	TRSTR NPN SANYO 25C3782
145	R559	086X0113-501	TRSTR NPN SANYO 25C3782
146	R560	086X0113-501	TRSTR NPN SANYO 25C3782
147	R561	086X0113-501	TRSTR NPN SANYO 25C3782
148	R562	086X0113-501	TRSTR NPN SANYO 25C3782
158		038A7357-000	ASSEMBLY: HEAT SINK; U601
159		038A7432-000	ASSEMBLY: HEAT SINK; U601

DEFLECTION BOARD ASSEMBLY
025A1426-001
P738

160	038A7432-000	ASSEMBLY: HEAT SINK; U601
161	001X0711-001	INSUL SIL-PAD; Q710
162	001X0772-001	INSUL SIL-PAD; Q101
163	001X0776-001	INSUL SIL-PAD; Q704
164	001X0772-001	INSUL SIL-PAD; D707
165	001X0810-001	MOUNTING CLIP FOR Q101
166	001X0810-001	MOUNTING CLIP D707
167	002X0591-001	WASHER SHOULDER Q710
168	016X0209-001	FUSE CLIPS PCB 5x20mm (2)
169	080X0099-685	NUT KEPS 4-40; Q704
170	080X0099-232	NUT KEPS 4-40; Q710
171	080X0099-111	NUT KEPS 4-40; U601
172	046X0561-002	NUT KEPS 4-40; Q101
173	045X0580-031	NUT KEPS 4-40; D707
174	046X0544-004	PCB BOARD
175	045X0580-027	SCR MACH 4-40x1/4HH; U601
176	047X0789-510	SCR SWG #4-40x3/8HH; Q710
177	080X0099-505	SCR MACH #4-40x1/2HWH;
	Q101	
178	312X0605-208	SCR SWG #4-40 x 1/2 HWH:
	Q704	
179	312X1205-206	SCR SWG #6-32 x 3/8 HWH: PCB
180	C101	CAP 0.47uF 250V UL/CSA/VDE
181	C102	CAP 2200pF 400V UL/CSA/VDE
182	C103	CAP 2200pF 400V UL/CSA/VDE
183	C104	CAP 0.22uF 250V UL/CSA/VDE
184	C105	CAP LYT 270uF 20% 400V 105 C
185	C106	CAP 0.01uF 10% Y5P 500V CER
186	C107	CAP LYT 33uF 20% 160V 105 C
187	C108	CAP 0.01uF 10% Y5P 500V CER
188	C109	CAP 0.01uF 10% Y5P 500V CER
189	C110	CAP 0.01uF 10% Y5P 500V CER
190	C111	CAP 0.01uF 10% Y5P 500V CER
191	C112	CAP 0.01uF 10% Y5P 500V CER
192	C114	CAP 0.01uF 10% Y5P 500V CER
193	C115	CAP 0.01uF 10% Y5P 500V CER
194	C116	CAP 0.01uF 10% Y5P 500V CER
195	C117	CAP 0.01uF 10% Y5P 500V CER
196	C118	CAP 0.01uF 10% Y5P 500V CER
197	C301	CAP 0.01uF 10% Y5P 500V CER
198	C302	CAP 0.01uF 10% Y5P 500V CER
199	C303	CAP 0.01uF 10% Y5P 500V CER
200	C304	CAP LYT 1000uF 20% 25V
201	C305	CAP LYT 1000uF 20% 25V
202	C310	CAP LYT 1000uF 20% 25V
203	C600	CAP LYT 1000uF 20% 25V
204	C601	CAP LYT 1000uF 20% 25V
205	C602	CAP LYT 10uF 25V
206	C603	CAP 0.10uF 5% 100V SMF
207	C604	CAP 0.10uF 5% 100V SMF
208	C605	CAP LYT 100uF 35V
209	C606	CAP 0.10uF 5% 100V SMF
210	C607	CAP LYT 470uF 35V
211	C608	CAP 0.10uF 5% 100V SMF
212	C609	CAP 0.047uF 10% 100V P-ESTER
213	C611	CAP 0.022uF 10% 50V P-ESTER
214	C610	CAP LYT 2.2uF 50V
215	C612	CAP 0.033uF 10% 50V P-ESTER
216	C613	CAP LYT 100uF 35V
217	C614	CAP 0.22uF 5% 50V SMF
218	C615	CAP LYT 33uF 16V
219	C616	CAP LYT 1000uF 50V 105 C
220	C617	CAP 0.1uF 20% Z5U 50V MON
221	C620	CAP 1000pF 10% Y5P 50V CER
222	C700	CAP LYT 220uF 16V



WELLS-GARDNER
ELECTRONICS CORPORATION

U 5 0 0 0



DEFLECTION BOARD ASSEMBLY
025A1426-001

P738

223	C701	045X0560-518	CAP LYT 10uF 25V
224	C702	080X0099-710	CAP 100pF 10% Z5F 50V CER
225	C703	047X0788-502	CAP 1500pF 5% NPO 50V MON
226	C704	047X0788-505	CAP 270pF 10% NPO 50V MON
227	C705	045X0550-502	CAP 5600pF 50V POLY FILM
228	C706	045X0560-544	CAP LYT 1.0uF 50V
229	C707	047X0788-515	CAP 0.01uF 20% Z5U 50V MON
230	C708	046X0550-502	CAP 5600pF 2% 50V POLY FILM
231	C709	045X0560-544	CAP LYT 1.0uF 50V
232	C710	047X0786-501	CAP 0.01uF 10% 50V P-ESTER
233	C711	047X0789-501	CAP 0.10uF 5% 100V SMF
234	C712	045X0560-006	CAP LYT 1000uF 16V
235	C713	045X0560-501	CAP LYT 4.7uF 25V
236	C714	080X0099-722	CAP 3300pF 10% Y5P 500V CER
237	C715	080X0099-580	CAP 100pF 120% Z5F 500V CER
238	C716	045X0560-549	CAP LYT 1.0uF 20% 200V
239	C718	046X0536-065	CAP 680uF 1600V 2% P-PROP
240	C719	046X0536-021	CAP 0.27uF 200V 5% P-PROP
241	C720	046X0536-064	CAP 1000pF 630V 10% P-PROP
242	C721	046X0536-021	CAP 0.27uF 200V 5% P-PROP
243	C722	046X0537-006	CAP 0.47uF 200V 5% P-PROP
244	C723	046X0536-044	CAP 6000uF 1600V 2% P-PROP
245	C724	046X0536-012	CAP 0.015uF 400V 5% P-PROP
246	C725	045X0580-533	CAP LYT 100uF 20% 50V 105C
247	C726	047X0788-505	CAP 270pF 10% NPO 50V MON
248	C727	047X0786-519	CAP 2200pF 5% 50V P-ESTER
249	C728	047X0786-511	CAP 0.1uF 10% 50V P-ESTER
250	C729	045X0580-535	CAP LYT 220uF 20% 50V 105 C
251	C730	045X0560-501	CAP LYT 4.7uF 25V
252	C731	045X0560-518	CAP LYT 10uF 25V
253	C732	045X0560-518	CAP LYT 10uF 25V
254	C733	080X0099-697	CAP 120pF 5% NPO 50V CER
255	C800	080X0099-234	CAP 0.01uF 10% R 250V CER
256	C801	080X0099-234	CAP 0.1uF 10% R 250V CER
257	C802	047X0788-515	CAP 0.1uF 20% Z5U 50V MON
258	C803	080X0099-062	CAP 0.2uF +80-10% Z5U 500V
259	C804	080X0099-095	CAP 1000pF 10% Z5F 2KV CER
260	C805	045X0560-550	CAP LYT 2.2uF 20% 200V
261	C808	045X0560-550	CAP LYT 2.2uF 20% 200V
262	C810	045X0560-555	CAP LYT 10uF 20% 63V
263	CN101	006A0475-003	HEADER 3 PIN
264	CN102	006A0427-001	PLUG HEADER 2 PIN
265	CN15K	006A0403-011	HEADER 11 PIN 0.156 CTR
266	CN25K	006A0403-011	HEADER 11 PIN 0.156 CTR
267	CN200	006A0403-010	HEADER 10 PIN 0.156 CTR
268	CN201	006A0473-013	HEADER 13 PIN 0.100 CTR
269	CN203	006A0473-010	HEADER 17 PIN 0.100 CTR
270	CN206	006A0427-001	PLUG HEADER 2 PIN
271	CN207	006A0427-002	HEADER 2 PIN
272	D101	066X0135-001	DIODE 1N5406
273	D102	066X0135-001	DIODE 1N5406
274	D103	006A0427-001	PLUG HEADER 2 PIN
275	D104	006A0427-001	PLUG HEADER 2 PIN
276	D105	006X0095-001	DIODE 1N4007 STATIC SENS
277	D106A	006X0097-001	DIODE 200V 3.5A BYV28-200
278	D106B	006X0097-001	DIODE 200V 3.5A BYV28-200
279	D106C	006X0097-001	DIODE 200V 3.5A BYV28-200
280	D107	066X0126-002	DIODE MUR490
281	D108	066X0090-001	DIODE RU2 1A 600V FAST REC
282	D109	066X0071-001	DIODE 1N4001
283	D110	066X0071-001	DIODE 1N4001
284	D111	066X0071-001	DIODE 1N4001
285	D112	066X0090-001	DIODE RU2 1A 600V FAST REC
286	D113	066X0090-001	DIODE RU2 1A 600V FAST REC
287	D114	066X0071-001	DIODE 1N4001

DEFLECTION BOARD ASSEMBLY
025A1426-001

P738

288	D117	066X0144-001	DIODE 1A 600V GI RGP10J
289	D301	066X0090-001	DIODE RU2 1A 600V FAST REC
290	D302	066X0090-001	DIODE RU2 1A 600V FAST REC
291	D303	066X0090-001	DIODE RU2 1A 600V FAST REC
292	D310	066X0090-001	DIODE RU2 1A 600V FAST REC
293	D600	066X0090-001	DIODE 1N914B
294	D601	066X0090-001	DIODE 1N914B
295	D602	066X0090-001	DIODE 1N914B
296	D603	066X0090-001	DIODE 1N4001
297	D604	066X0090-001	DIODE 1N914B
298	D700	066X0090-001	DIODE 1N914B
299	D702	066X0070-001	DIODE 1N914B
300	D707	066X0143-001	DIODE DD202
301	D708	066X0126-005	DIODE 900V 4A MUR490E
302	D709	066X0070-001	DIODE 1N914B
303	D710	066X0070-001	DIODE 1N914B
304	D711	066X0070-001	DIODE 1N914B
305	D712	066X0070-001	DIODE 1N914B
306	D713	066X0070-001	DIODE 1N914B
307	D716	066X0126-005	DIODE 200V 3.5A BYV28-200
308	D800	066X0070-001	DIODE 1N914B
309	D802	066X0062-001	DIODE SANYO GMA02
310	D803	066X0062-001	DIODE SANYO GMA02
311	D804	066X0070-001	DIODE 1N914B
312	D805	066X0070-001	DIODE 1N914B
313	D806	066X0070-001	DIODE 1N914B
314	D807	066X0070-001	DIODE SANYO GMA02
315	F101	016X0208-001	FUSE 3A FAST BLOW 250V
316	L101	052X0147-001	CHOKE COM MODE INPUT
317	L102	038A7494-000	ASSEMBLY: FERRITE BEAD
318	L103	009A2983-001	CHOKE TOROID 23uH 3A
319	L104	009A2811-004	COIL 12uH
320	L105	009A2811-002	COIL 22uH
321	L701	009A2976-002	COIL LINEARITY CTR TAPPED
322	L703	009A2970-002	COIL PINCUSHION
323	L704	009A2811-012	COIL PEAKING 0.82uH
324	P15/25K	038A7508-000	FREQ CHANGE PLUG ASSY
325	Q101	086X0334-001	FET N CHANNEL SSP6N60
326	Q601	086X0113-501	TRSTR 2N3904 MOT
327	Q602	086X0113-501	TRSTR 2N3904 MOT
328	Q700	086X0113-501	TRSTR 2N3904 MOT
329	Q703	086X0185-501	TRSTR 25C2482 TOSH
330	Q704	086X0286-001	TRSTR 25C3686 SANYO
331	Q705	086X0114-501	TRSTR 2N3906 MOT
332	Q708	086X0185-501	TRSTR 25C2482 TOSH
333	Q709	086X0211-501	TRSTR 2N4403 STATIC SENS
334	Q710	086X0335-001	TRSTR BDX53A SGS NPN DAR
335	Q800	086X0133-501	TRSTR MPSA92 MOT
336	Q801	086X0113-501	TRSTR 2N3904 NPN
337	Q808	086X0113-501	TRSTR 2N3904 MOT
338	R100	340X8047-631	THERM NTC 10 OHM
339	R101	043X0493-001	RES 68K OHM 5% 1W
340	R102	420X4683-313	RES 68K OHM 5% 1W
341	R103	420X4683-313	RES 68K OHM 5% 1W
342	R104	043X0484-006	RES 10K OHM 5% 7W
343	R105	340X6471-631	RES 470 OHM 5% 3W MO/MF
344	R106	340X2102-934	RES 1.0K OHM 5% 1/4W CF
345	R107	340X2100-934	RES 10 OHM 5% 1/4W CF
346	R108	420X5209-323	RES 0.22 OHM 5% 2W
347	R110	421X1822-221	RES 18.2K OHM 1% 1/4W MF
348	R111	340X4471-631	RES 470 OHM 5% 1W MO/MF
349	R112	340X2561-934	RES 560M OHM 5% 1/4W CF
350	R113	421X2001-221	RES 2.00K OHM 1% 1/4W MF
351	R114	340X2102-934	RES 10K OHM 10% 1/4W CF
352	R115	340X2222-934	RES 2.2K OHM 5% 1/4W CF



WELLS-GARDNER
ELECTRONICS CORPORATION

U5000



DEFLECTION BOARD ASSEMBLY
025A1426-001

P738

353	R116	340X2102-934	RES 1.0K OHM 5% 1/4W CF
354	R117	340X2102-934	RES 1.0K OHM 10% 1/4W CF
355	R120	340X5683-531	RES 68K OHM 5% 2W CF
356	R121	043X0510-001	THERM PTC 8 OHM 120V
357	R122	340X5106-531	RES 10M OHM 10% 2W CF
358	R123	340X5105-531	RES 1M OHM 10% 2W CF
359	R124	340X2101-934	RES 10M OHM 5% 1/4W CF
360	R301	043X0486-002	RES 1.2 OHM 5% 2W MF
361	R303	043X0486-002	RES 1.2 OHM 5% 2W MF
362	R305	340X3122-934	RES 1.2K OHM 5% 1/2W CF
363	R310	934X0486-002	RES 1.2K OHM 5% 2W MF
364	R600	340X2101-934	RES 100K OHM 5% 1/4W CF
365	R601	340X2473-934	RES 47K OHM 5% 1/4W CF
366	R602	340X2223-934	RES 22K OHM 5% 1/4W CF
367	R603	340X2681-934	RES 680K OHM 5% 1/4W CF
368	R604	340X2472-934	RES 4.7K OHM 5% 1/4W CF
369	R605	340X2101-934	RES 1.0K OHM 5% 1/4W CF
370	R606	340X2101-934	RES 1.0K OHM 5% 1/4W CF
371	R607	340X2432-934	RES 4.3K OHM 5% 1/4W CF
372	R608	340X2102-934	RES 1K OHM 5% 1/4W CF
373	R609	340X2103-934	RES 10K OHM 5% 1/4W CF
374	R610	340X2103-934	RES 10K OHM 5% 1/4W CF
375	R611	340X2154-934	RES 150K OHM 5% 1/4W CF
376	R612	340X2153-934	RES 15K OHM 5% 1/4W CF
377	R613	340X2022-934	RES 2.2K OHM 5% 1/4W CF
378	R614	340X2242-934	RES 2.4K OHM 5% 1/4W CF
379	R615	340X2273-934	RES 27K OHM 5% 1/4W CF
380	R616	340X2911-934	RES 910K OHM 5% 1/4W CF
381	R617	340X3821-934	RES 820K OHM 5% 1/2W CF
382	R618	340X3829-934	RES 82 OHM 5% 1/2W CF
383	R619	340X4820-633	RES 82 OHM 5% 1W MO/MF
384	R620	340X4681-531	RES 680 OHM 5% 1W CF
385	R621	340X2272-934	RES 2.7 OHM 5% 1/4W CF
386	R622	340X2105-934	RES 1M OHM 5% 1/4W CF
387	R623	340X2472-934	RES 470K OHM 5% 1/4W CF
388	R624	340X2184-934	RES 180K OHM 5% 1/4W CF
389	R625	340X3271-934	RES 270 OHM 5% 1/2W CF
390	R626	340X2683-934	RES 68K OHM 5% 1/4W CF
391	R627	340X2623-934	RES 62K OHM 5% 1/4W CF
392	R628	340X2103-934	RES 10K OHM 5% 1/4W CF
393	R700	340X2102-934	RES 1K OHM 5% 1/4W CF
394	R701	340X2103-934	RES 10K OHM 5% 1/4W CF
395	R702	340X2223-934	RES 22K OHM 5% 1/4W CF
396	R703	340X2301-934	RES 300K OHM 5% 1/4W CF
397	R704	340X2472-934	RES 4.7K OHM 5% 1/4W CF
398	R705	340X2471-934	RES 470K OHM 5% 1/4W CF
399	R707	340X2102-934	RES 1K OHM 5% 1/4W CF
400	R709	340X2223-934	RES 22K OHM 5% 1/4W CF
401	R710	340X2103-934	RES 10K OHM 5% 1/4W CF
402	R711	340X2123-934	RES 12K OHM 5% 1/4W CF
403	R712	340X2103-934	RES 10K OHM 5% 1/4W CF
404	R713	340X2102-934	RES 1K OHM 5% 1/4W CF
405	R714	340X2223-934	RES 33K OHM 5% 1/4W CF
406	R715	340X2102-934	RES 1.0K OHM 5% 1/4W CF
407	R716	421X8661-221	RES 8.66K OHM 1% 1/4W CF
408	R717	340X2822-934	RES 8.2K OHM 5% 1/4W CF
409	R718	340X2103-934	RES 10K OHM 5% 1/4W CF
410	R719	340X2912-934	RES 9.1K OHM 5% 1/4W CF
411	R720	340X3220-934	RES 22K OHM 5% 1/2W CF
412	R721	340X3393-234	RES 39K OHM 5% 1/2W CC
413	R722	340X2682-934	RES 6.8K OHM 5% 1/4W CF
414	R723	340X2222-934	RES 2.2K OHM 5% 1/4W CF
415	R724	340X2162-934	RES 1.6K OHM 5% 1/4W CF
416	R725	340X2101-934	RES 100K OHM 5% 1/4W CF
417	R726	340X2103-934	RES 10K OHM 5% 1/4W CF
418	R727	340X4392-631	RES 3.9K OHM 5% 1W MO/MF
419	R728	340X5102-731	RES 1.0K OHM 5% 2W MO/MF

DEFLECTION BOARD ASSEMBLY
025A1426-001

P738

420	R729	340X2101-934	RES 100K OHM 5% 1/4W CF
421	R732	340X4222-631	RES 2.2K OHM 5% 1/4W MO/MF
422	R734	340X2101-934	RES 1.0K OHM 5% 1/4W CF
423	R735	340X2102-934	RES 1.0K OHM 5% 1/4W CF
424	R736	340X2153-934	RES 15K OHM 5% 1/4W CF
425	R745	340X2182-934	RES 1.8K OHM 5% 1/4W CF
426	R750	340X2471-934	RES 470K OHM 5% 1/4W CF
427	R751	340X2682-934	RES 6.8K OHM 5% 1/4W CF
428	R752	340X2103-934	RES 10K OHM 5% 1/4W CF
429	R753	340X2333-934	RES 33K OHM 5% 1/4W CF
430	R754	340X2682-934	RES 6.8K OHM 5% 1/4W CF
431	R755	340X2103-934	RES 10K OHM 5% 1/4W CF
432	R756	340X2222-934	RES 2.2K OHM 5% 1/4W CF
433	R759	320X2000-000	WIRE #20 BARE SOLID
434	R760	043X0509-004	RES 100K OHM 5% 1/2W CF
435	R762	340X2330-934	RES 33K OHM 5% 1/4W CF
436	R763	340X2822-934	RES 8.2K OHM 5% 1/4W CF
437	R765	340X3333-934	RES 33K OHM 5% 1/2W CF
438	R800	320X2000-000	WIRE #20 BARE SOLID
439	R801	340X2821-934	RES 820 OHM 5% 1/4W CF
440	R802	340X2000-000	WIRE #20 BARE SOLID
441	R803	340X2103-934	RES 10K OHM 5% 1/4W CF
442	R804	340X2334-934	RES 330K OHM 5% 1/4W CF
443	R806	340X2471-934	RES 470K OHM 5% 1/4W CF
444	R809	340X3391-934	RES 390K OHM 5% 1/2W CF
445	R810	340X3202-934	RES 2K OHM 5% 1/4W CF
446	R811	340X3104-934	RES 100K OHM 5% 1/2W CF
447	R812	340X2202-934	RES 2.0K OHM 5% 1/4W CF
448	R813	340X2103-934	RES 10K OHM 5% 1/4W CF
449	R814	340X2302-934	RES 3.0K OHM 5% 1/4W CF
450	R815	340X2474-934	RES 470K OHM 5% 1/4W CF
451	R816	340X2204-934	RES 200K OHM 5% 1/4W CF
452	R817	340X2474-934	RES 470K OHM 5% 1/4W CF
453	R818	320X2000-000	WIRE #20 BARE SOLID
454	R819	340X2103-934	RES 10K OHM 5% 1/4W CF
455	R821	340X2102-934	RES 1.0K OHM 5% 1/4W CF
456	R823	340X5047-631	RES 4.7K OHM 5% 2W MF
457	R824	340X5043-631	RES 4.3 OHM 5% 2W
458	R825	340X3202-844	RES 2.0K OHM 5% 1/2W CC
459	R830	421X3572-221	RES 35.7K OHM 1% 1/4W
460	T101	053X0631-001	TFMR SFLPS 140-340V 120KHZ
461	T700	053X0624-001	TFMR FLYBACK
462	T701	052X0131-001	TFMR HORIZ DRIVER
463	TP103	030X0798-001	PIN 1mm OSHIMA
464	TP104	030X0798-001	PIN 1mm OSHIMA
465	TP105	030X0798-001	PIN 1mm OSHIMA
466	TP106	030X0798-001	PIN 1mm OSHIMA
467	TP200	030X0798-001	PIN 1mm OSHIMA
468	TP201	030X0798-001	PIN 1mm OSHIMA
469	TP202	030X0798-001	PIN 1mm OSHIMA
470	TP203	030X0798-001	PIN 1mm OSHIMA
471	TP204	030X0798-001	PIN 1mm OSHIMA
472	TP205	030X0798-001	PIN 1mm OSHIMA
473	U101	086X0257-001	IC PWM UC3842AN
474	U601	086X0326-001	IC VERT DEF LTA1771
475	U701	086X0274-001	IC LA7850 H/V PROC SANYO
476	U702	086X0333-001	IC QUAD XOR SN4LS136N
477	VR101	040X0639-014	TRIM POT 1K OHM 0.3W 20%
478	VR700	040X0639-008	TRIM POT 10K OHM 0.3W 20%
479	Z601	066X0040-046	MOT IM5242B DIODE
480	Z700	066X0040-028	ZENER DIODE 5.1V 5% 0.5W
481	Z701	066X0040-022	ZENER DIODE 5.6V 5% 0.5W
482	Z702	066X0040-017	ZENER DIODE 13V 1W
483	Z705	066X0040-020	ZENER DIODE 9.1V 5% 0.5W
484	Z800	421X3572-221	RES 35.7K OHM 1% 1/4W
485	Z802	066X0040-031	ZENER DIODE 24V 3% 0.5W